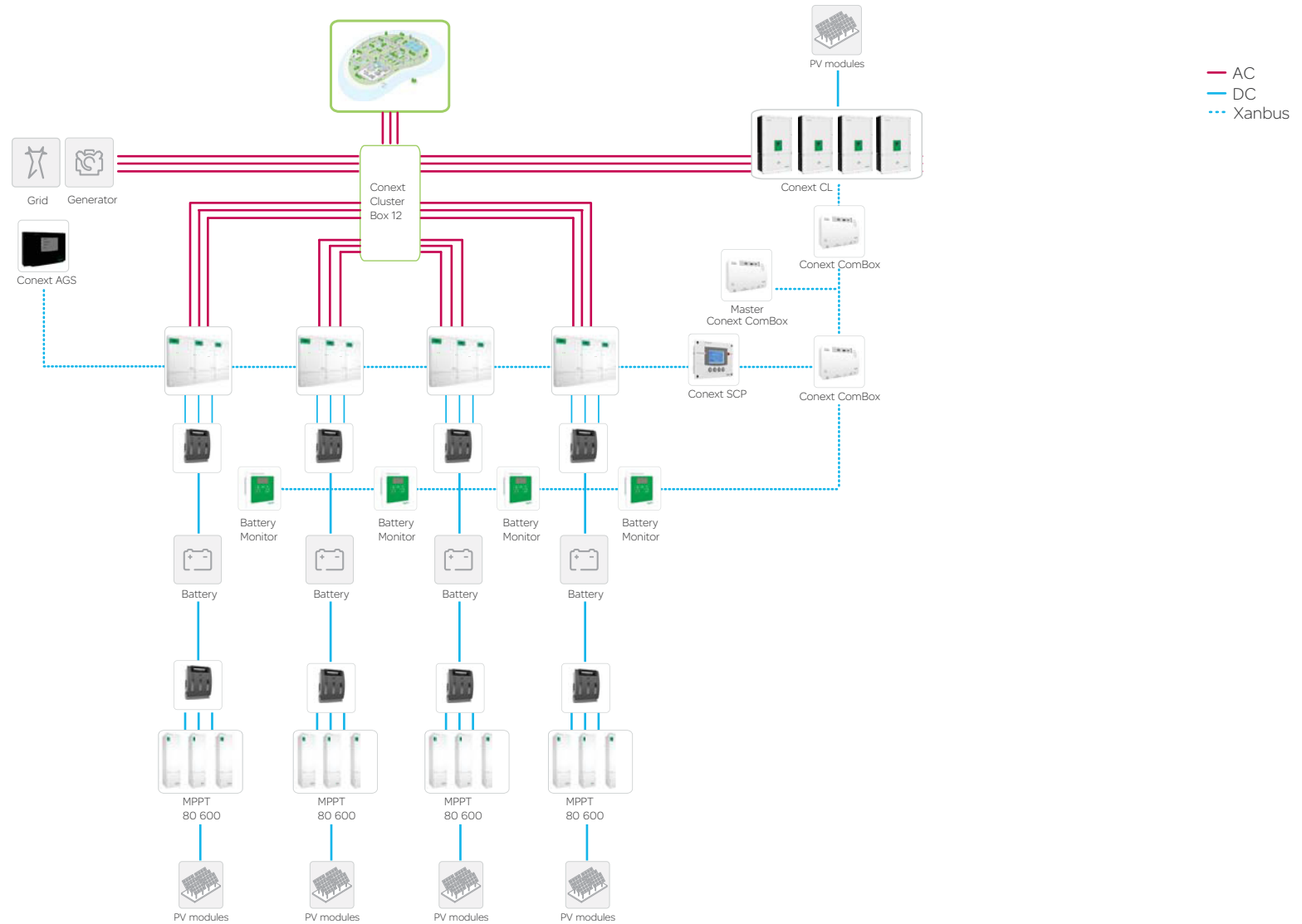


# Community electrification (AC and DC coupled)



Three-phase (230/400VAC) 102kW system - AC and DC Coupled

Conext Cluster Box is required to manage the AC bus line and integration with generator or grid.

Up to four Conext XW+ three-phase clusters can be aggregated on one Xanbus communication network.

A dedicated ComBox as the master is required for data aggregation to monitor multiple ComBox slave units.

Note: Confirm AC coupling compatibility with PV inverter manufacturer prior to installation

[www.SEsolar.com](http://www.SEsolar.com)

